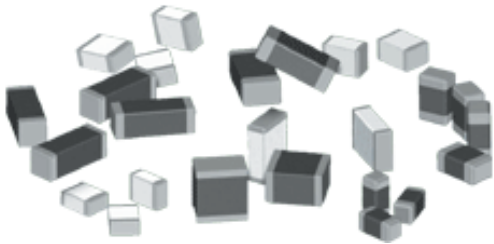


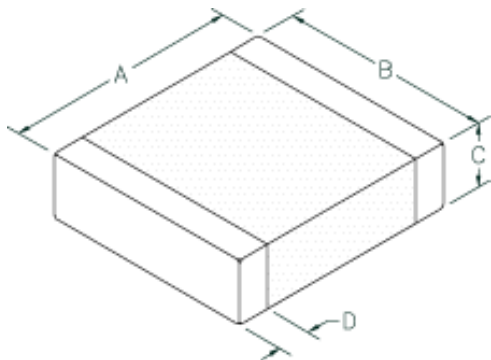
# Steward

Advanced Ferrite Materials, EMI Suppression, and Inductive Products

Home • Ferrite Product Lines • New Products • Technical • General • Contact • Steward Sales



## Chip Bead - Signal Filtering Inductors



### STEWARD PART NUMBERING SYSTEM

IC	0603	A	182	R	- 10
PRODUCT SERIES CODE	PART SIZE CODE	RATED CURRENT CODE	IMPEDANCE VALUE CODE	PACKAGING CODE	ADDITIONAL DESCRIPTION

#### View Chart Data In:

Millimeters Only

Inches Only

Both (Millimeters and Inches)

**SORT:** Click on the  $\uparrow\downarrow$  (ascending) or  $\downarrow\uparrow$  (descending) in any chart heading to sort entire chart by data in that selected column.

**IMPEDANCE CURVES:** Click on the Part Number links below to view impedance curves.

**COMPARE:** For side-by-side comparison of data for a limited selection of parts, click on boxes under the "Compare" heading. Then click the "Compare Selected Parts" button at the bottom of this chart.

Part Number A ↓ Z ↓ Z ↓ A ↓	Compare Selected Parts	L (nH) A ↓ Z ↓ Z ↓ A ↓	L (min) A ↓ Z ↓ Z ↓ A ↓	L (max) A ↓ Z ↓ Z ↓ A ↓	Q A ↓ Z ↓ Z ↓ A ↓	Q Freq. (MHz) A ↓ Z ↓ Z ↓ A ↓	Self-Resonant Freq. (MHz) A ↓ Z ↓ Z ↓ A ↓	DCR Max (Ohms) A ↓ Z ↓ Z ↓ A ↓	I (Max) A ↓ Z ↓ Z ↓ A ↓	A mm A ↓ Z ↓ Z ↓ A ↓	B mm A ↓ Z ↓ Z ↓ A ↓	C mm A ↓ Z ↓ Z ↓ A ↓	D mm A ↓ Z ↓ Z ↓ A ↓
<a href="#">IC0603A103R-10</a>		10000	-	-	30	-	17	2.55	100	-	-	-	-
<a href="#">IC0603A182R-10</a>		1800	1620	1980	35	10	64	0.95	100	1.60	0.80	0.80	0.36
<a href="#">IC0603A391R-10</a>		390	351	429	15	25	127	1.00	100	1.60	0.80	0.80	0.36
<a href="#">IC0603A471R-10</a>		470	423	517	15	25	121	1.35	75	1.60	0.80	0.80	0.36
<a href="#">IC0603A561R-10</a>		560	504	616	15	25	110	1.55	75	1.60	0.80	0.80	0.36
<a href="#">IC0603A681R-10</a>		680	-	-	15	25	104	1.70	75	1.60	0.80	0.80	0.36
<a href="#">IC0603B101R-10</a>		100	-	-	15	25	276	0.50	200	1.60	0.80	0.80	0.36
<a href="#">IC0603B102R-10</a>		1000	-	-	35	10	87	0.60	200	1.60	0.80	0.80	0.36
<a href="#">IC0603C820R-10</a>		82	74	90	10	50	245	0.30	300	1.60	0.80	0.80	0.36
<a href="#">IC0603D470R-10</a>		47	42	52	10	50	260	0.30	400	1.60	0.80	0.80	0.36
<a href="#">IC0805A103R-10</a>		10000	-	-	50	2	28	1.15	100	2.00	1.25	1.25	0.51
<a href="#">IC0805A153R-10</a>		15000	13500	16500	30	1	22	0.80	150	2.00	1.25	1.25	0.51
<a href="#">IC0805A183R-10</a>		18000	-	-	30	1	21	0.90	150	2.00	1.25	1.25	0.46
<a href="#">IC0805A333R-10</a>		33000	-	-	30	0.4	15	1.25	100	2.00	1.25	1.25	0.51
<a href="#">IC0805A472R-10</a>		4700	-	-	45	10	41	1.00	150	2.00	1.25	1.25	0.51
<a href="#">IC0805A561R-10</a>		560	-	-	25	25	133	0.75	150	2.00	1.25	1.25	0.51
<a href="#">IC0805A822R-10</a>		8200	-	-	50	4	30	1.10	100	2.00	1.25	1.25	0.51
<a href="#">IC0805B101R-10</a>		100	-	-	20	25	279	0.30	250	2.00	1.25	0.90	0.46
<a href="#">IC0805B102R-10</a>		1000	-	-	45	10	87	0.40	250	2.00	1.25	0.90	0.51
<a href="#">IC0805B182R-10</a>		1800	-	-	45	10	64	0.60	250	2.00	1.25	0.90	0.51
<a href="#">IC0805B222R-10</a>		2200	-	-	45	10	78	0.65	200	2.00	1.25	0.90	0.51

<a href="#">IC1206A103R-10</a>		10000	-	-	50	2	28	1.00	150	3.20	1.60	1.10	0.51
<a href="#">IC1206A223R-10</a>		22000	-	-	35	1	19	0.90	150	3.20	1.60	1.10	0.51
<a href="#">IC1206A333R-10</a>		33000	-	-	35	1	15	1.05	100	3.20	1.60	1.10	0.51
<a href="#">IC1206A822R-10</a>		8200	-	-	50	4	30	0.90	150	3.20	1.60	1.10	0.51
<a href="#">IC1206B102R-10</a>		1000	-	-	45	10	87	0.40	250	3.20	1.60	1.10	0.51
<a href="#">IC1206B153R-10</a>		15000	-	-	35	1	22	0.70	200	3.20	1.60	1.10	0.51
<a href="#">IC1206B183R-10</a>		18000	-	-	35	1	21	0.70	200	3.20	1.60	1.10	0.51
<a href="#">IC1206B331R-10</a>		330	-	-	20	25	167	0.60	250	3.20	1.60	1.10	0.51
<a href="#">IC1206B821R-10</a>		820	-	-	25	25	115	0.90	150	3.20	1.60	1.10	0.51

Custom Parts are also available.

[Request PDF's of part prints](#)

[americas@steward.com](mailto:americas@steward.com)

[mexico@steward.com](mailto:mexico@steward.com)

[europa@steward.com](mailto:europa@steward.com)

[asia@steward.com](mailto:asia@steward.com)

[china@steward.com](mailto:china@steward.com)

Copyright© 2005 Steward, Inc.

Last Updated: 12/6/2005