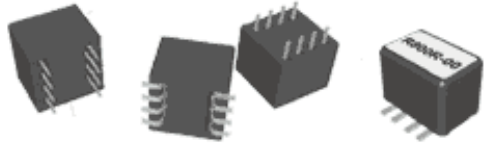


CM Arrays - Power and Signal EMI Filtering



Steward's advanced family of common mode choke arrays provides EMI filtering for both power and data lines all in one part. The product is available from 4 lines up to 8 lines and is effective for power line filtering, USB, Firewire, 10T, 100T, RJ11/45, and Gigabit. Designed to maximize signal integrity.

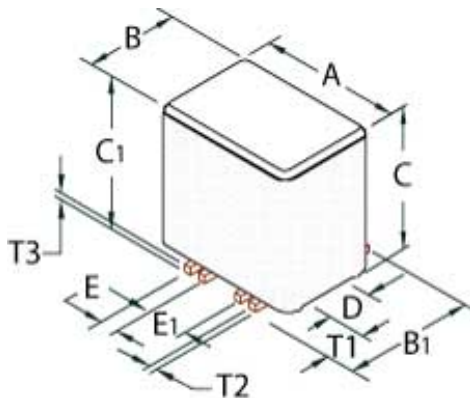


Figure 1
2 Chokes

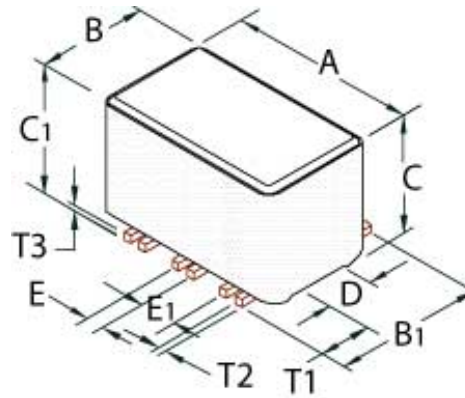


Figure 2
3 Chokes

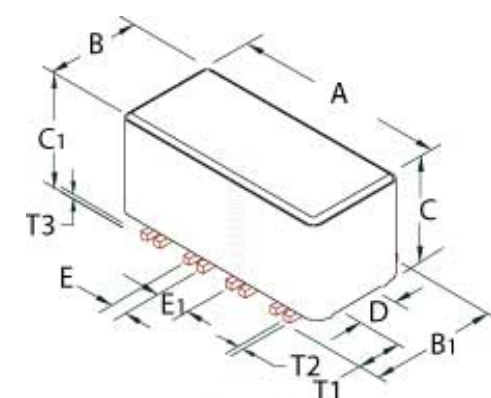


Figure 3
4 Chokes

View Chart Data In:

 Millimeters Only

 Inches Only

 Both (Millimeters and Inches)

SORT: Click on the (ascending) or (descending) in any chart heading to sort entire chart by data in that selected column.

IMPEDANCE CURVES: Click on the Part Number links below to view impedance curves.

COMPARE: For side-by-side comparison of data for a limited selection of parts, click on boxes under the "Compare" heading. Then click the "Compare Selected Parts" button at the bottom of this chart.

Part Number	Compare Selected Parts	Figure Number	Nominal Z Ohms @ 100 MHz	DCR Max (Ohms)	Rated Current mA (continuous)	A mm	B mm	B1 mm	C mm	C1 mm	D mm	E mm	E1 mm	T1 mm	T2 mm	T3 mm
CM2722R151R-10	<input type="checkbox"/>	1	150	0.02	5000	6.99	5.72	6.73	7.62	8.40	2.41	0.89	1.91	1.91	0.38	0.38
CM2722R201R-10	<input type="checkbox"/>	1	200	0.02	5000	6.99	5.72	6.73	9.53	10.31	2.41	0.89	1.91	1.91	0.38	0.38
CM2722R800R-10	<input type="checkbox"/>	1	80	0.02	5000	6.99	5.72	6.73	4.32	5.00	2.41	0.89	1.91	1.91	0.38	0.38
CM3822R151R-10	<input type="checkbox"/>	2	150	0.02	5000	9.78	5.72	6.73	7.62	8.40	2.41	0.89	1.91	1.91	0.38	0.38
CM3822R201R-10	<input type="checkbox"/>	2	200	0.20	5000	9.78	5.72	6.73	9.53	10.31	2.41	0.89	1.91	1.91	0.38	0.38
CM3822R800R-10	<input type="checkbox"/>	2	80	0.02	5000	9.78	5.72	6.73	4.32	5.00	2.41	0.89	1.91	1.91	0.38	0.38
CM5022R151R-10	<input type="checkbox"/>	3	150	0.20	5000	12.57	5.72	6.73	7.62	8.40	2.41	0.89	1.91	1.91	0.38	0.38
CM5022R201R-10	<input type="checkbox"/>	3	200	0.02	5000	12.57	5.72	6.73	9.53	10.31	2.41	0.89	1.91	1.91	0.38	0.38
CM5022R800R-10	<input type="checkbox"/>	3	80	0.02	5000	12.57	5.72	6.73	4.32	5.00	2.41	0.89	1.91	1.91	0.38	0.38

Custom Parts are also available.

[Request PDF's of part prints](#)

Land Pattern

Equivalent Circuit

CM2722 Series - Figure 1

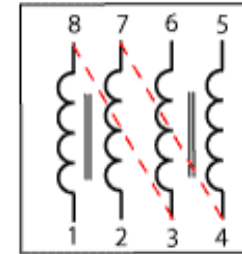
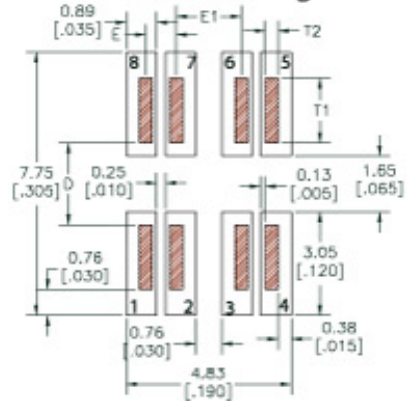


Figure #1 - 2 Turn Series

CM3822 Series - Figure 2

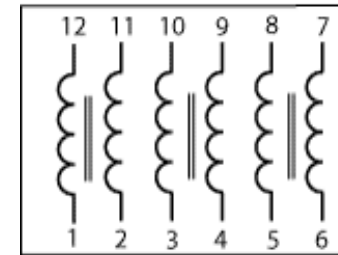
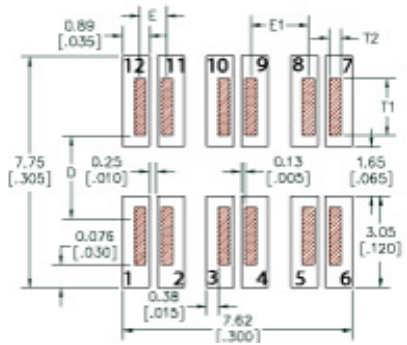


Figure #2

CM5022 Series - Figure 3

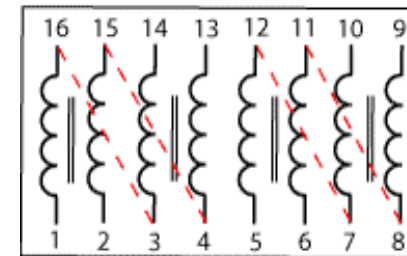
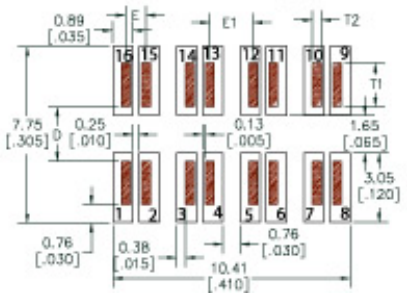
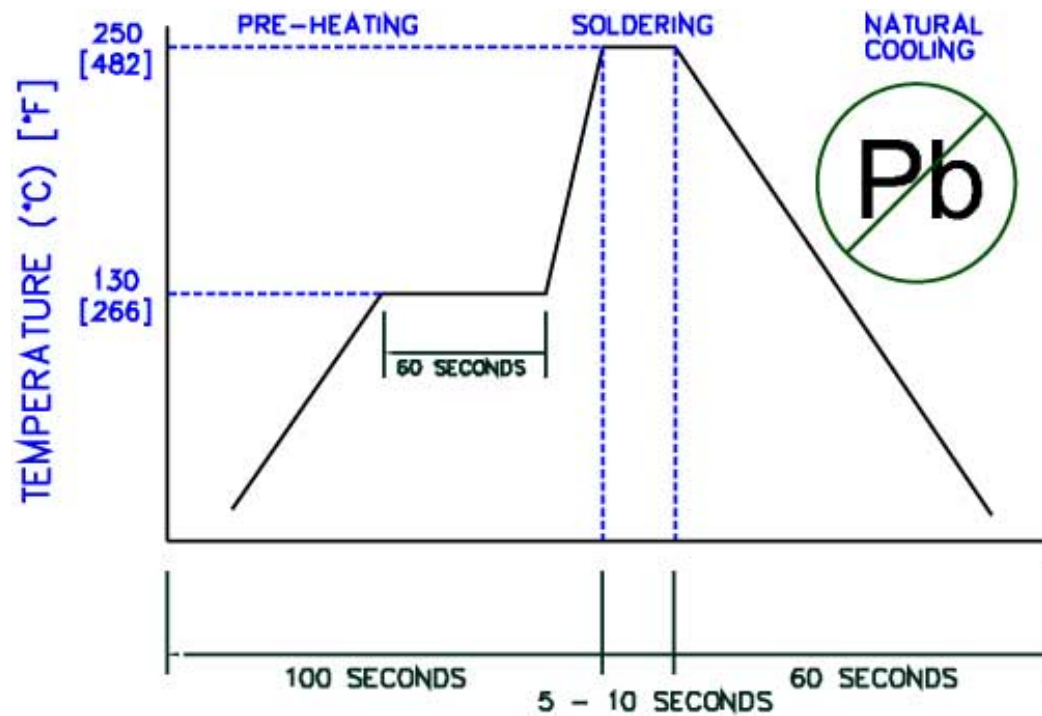


Figure #3 - 2 Turn Series

Sodering Conditions



Specifications, which provide more details for the correct use of the described products, are available upon request. All specifications are subject to change without notice. For more technical information on any of the products listed above, please contact the Steward USA customer service department at 1 (800) 634-2673 or contact one of the Steward facilities below.

americas@steward.com

mexico@steward.com

europa@steward.com

asia@steward.com

china@steward.com

Copyright© 2005 Steward, Inc.

Last Updated: 12/6/2005